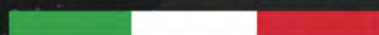


glass
SERVICE **30**
1994-2024



The Future.
Today.

www.glassservice.it

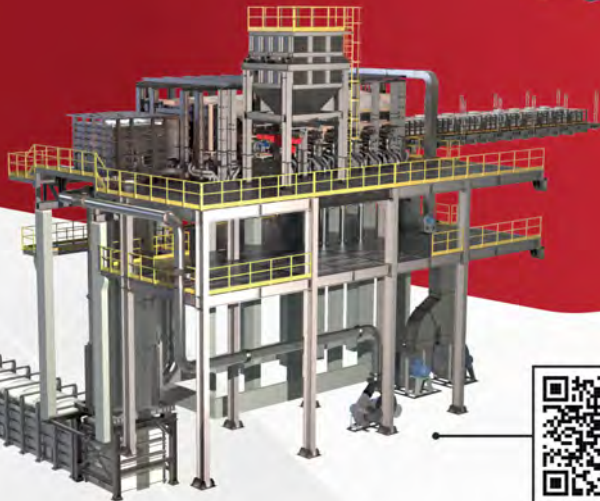
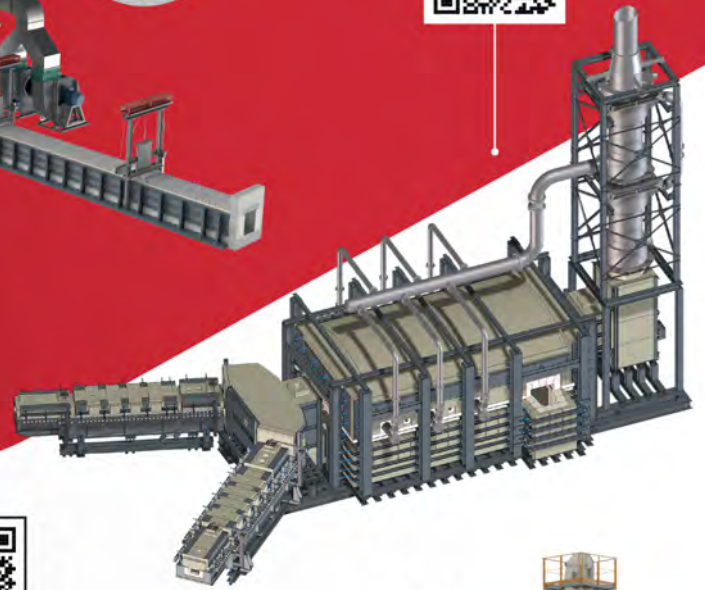




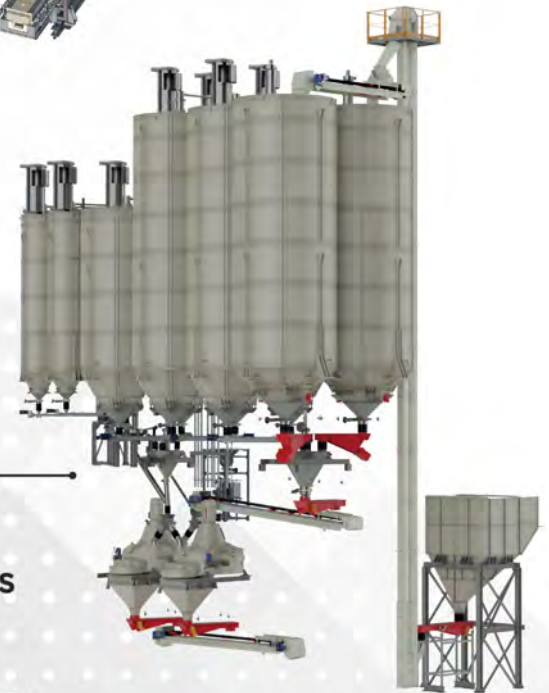
HYBRID FURNACES
(Electric + Oxy-Gas)



RECUPERATIVE FURNACES



MINERAL WOOL FURNACES



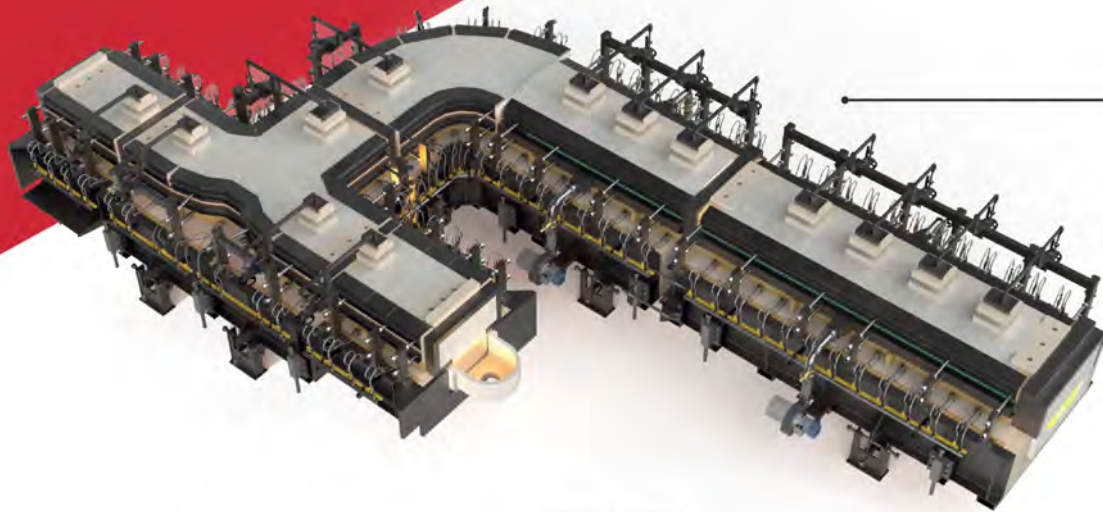
BATCH PLANTS



REGENERATIVE FURNACES



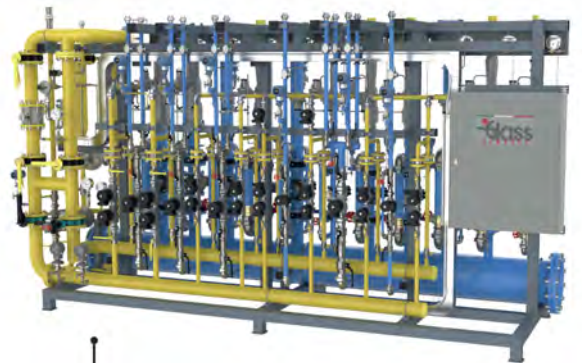
DISTRIBUTORS & FOREHEARTHS



**OXY-GAS
TECHNOLOGY**



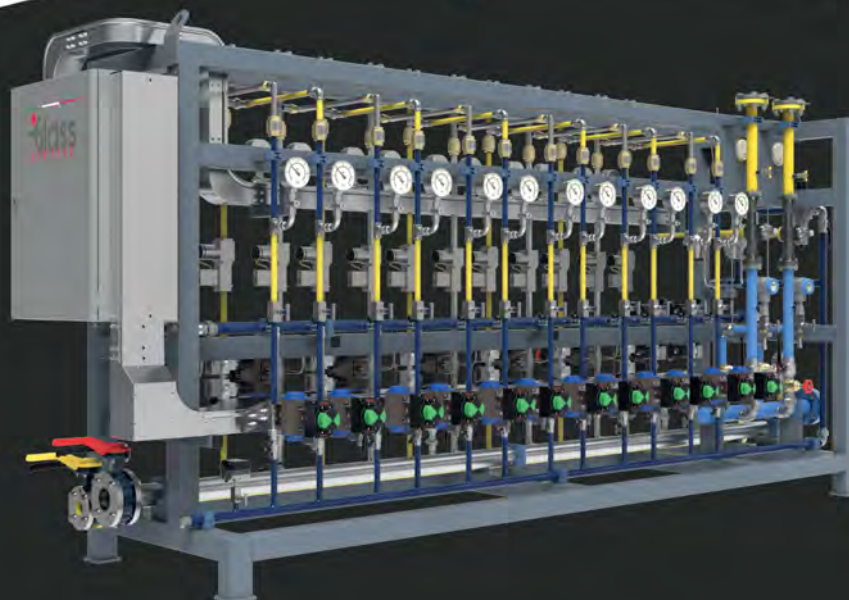
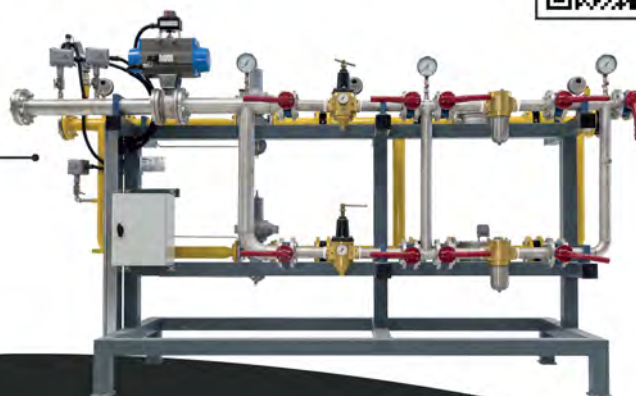
**FURNACE
COMBUSTION SYSTEM**



**FOREHEARHS
& DISTRIBUTORS
COMBUSTION
SYSTEM**



**OXY-GAS
COMBUSTION
SYSTEM**



**FOREHEARHS
OXY-GAS
COMBUSTION SYSTEM**



OXY-GAS BURNERS



AIR-GAS BURNERS



FOREHEARTH OXY-GAS/HYDROGEN BURNERS

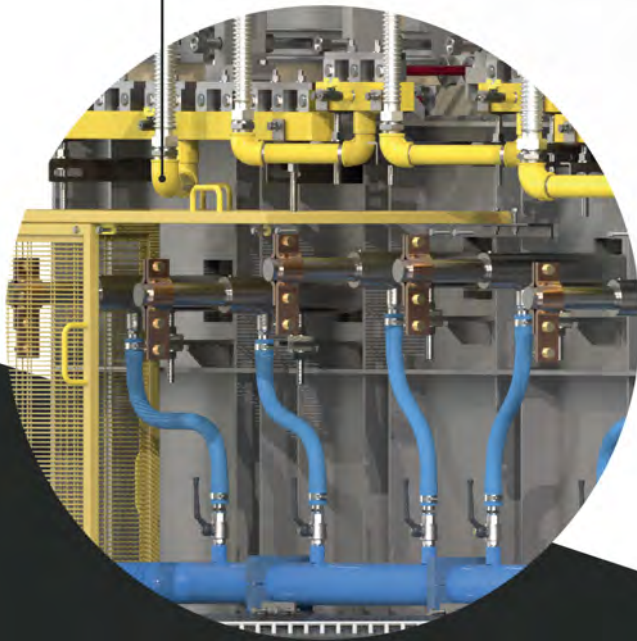


ELECTRODE HOLDERS & BOOSTINGS

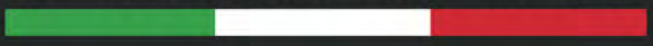


FOREHEARTH SIDE BOOSTINGS & DRY ELECTRODE HOLDERS

GENERAL PROJECTS & ENGINEERING



ALL TECHNOLOGY MADE IN ITALY





HEAT RECUPERATORS



REVERSAL VALVES



**COLORING
FOREHEARTHS
DOSING**



**ADJUSTABLE PORT
AIR VALVES
MOD. VV**



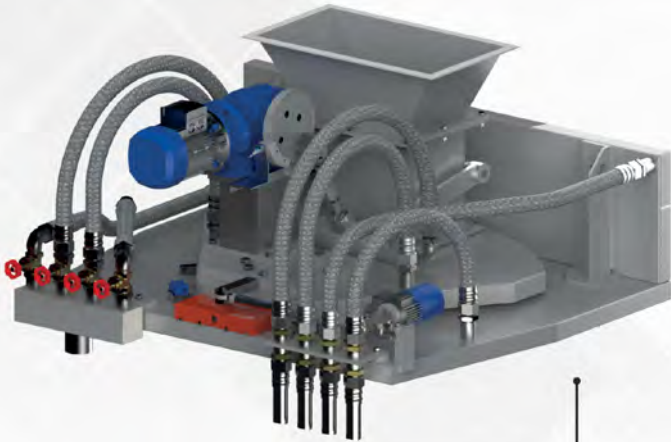
VENTURI MIXERS



BOTTOM DRAINS



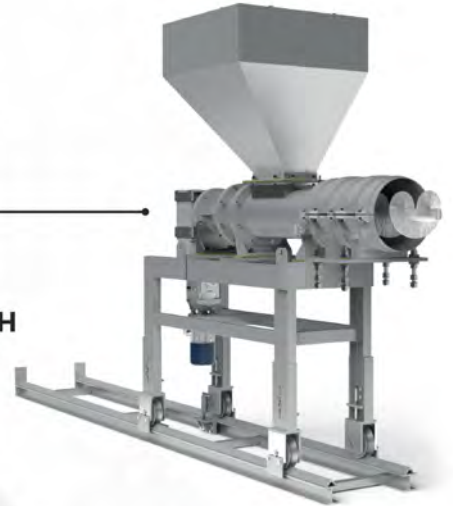
FURNACE CONTROL BOARDS



FIXED & OSCILLANTING SCOOP TYPE BATCH CHARGERS



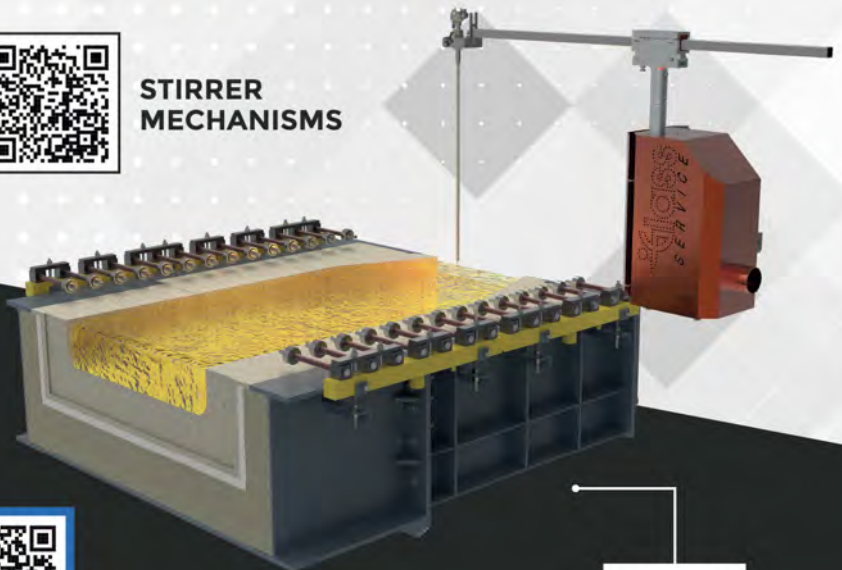
SCREW BATCH CHARGERS



BELT COLD TOP BATCH CHARGER



STIRRER MECHANISMS



GLASS LEVEL CONTROL MACHINES MODEL LEV 7

